

TA 50 Gear Locker Specifications

Furnish all welded TA50 gear lockers as manufactured by Jesco Industries, Inc., 950 Anderson Road, Litchfield, MI 49252. Size and quantity shall be as specified on the drawings.

Mesh: ¾- #9 (.120 thick) flattened expanded metal

Sides: 1 ¼ x 1 ¼ x 1/8 angle and channel with ¾-#9 flattened expanded metal securely welded to frame

Door(s): 1 ¼ x 1 ¼ x 1/8 angle with ¾-#9 flattened expanded metal securely welded to frame. Doors have full length angle strike, two point cane bolt lock on double door units with chrome plated padlockable handle. Single door units have three point cane bolt lock, with chrome plated padlockable handle, able to accept padlock up to 3/8" diameter shank. Door(s) are mounted to locker with minimum of three 2 ½" fast pin hinges on each leaf (lockers over 36" wide have double doors).

Top: Formed 16 gauge sheet with 1 ¼" flanges and formed integral door stop. Top welded to locker frame.

Shelf: Formed 16 gauge sheet with one piece galvanized coat rod bolted to underside of shelf. Shelf is welded to locker sides.

Bottom: Formed 14 gauge sheet, 4" high, welded to locker assembly

Back: ¾-#9 flattened expanded metal securely welded to locker frame (back to back units share common back)

Coat Rod: ¾" schedule 40 pipe welded to 1/8" x 1 ¼" mounting brackets. Finish is hot dip galvanized.

Coat Hooks: Three per unit standard, mounted at back under shelf.

Hardware: All interconnecting and assembly hardware is supplied. Anchors to be provided by installer.

Finish: Phosphatized and painted one coat PM9017 dark gray acrylic, force dried enamel.

After shipping and installation, paint touch up will be required.

Note: Lockers are all welded construction and are shipped fully assembled, except for door handles and floor mounting clips.

Options: Different gauges and flattened expanded metal sizes, 1 x 1 x 10 gauge woven wire mesh, welded mesh, perforated metal, extra shelf (shelves), paint finish color

Standard Size: 24" deep x 42" wide x 78" high

Optional Sizes:

- 24" deep x 36" wide x 78" high
- 24" deep x 42" wide x 96" high
- 24" deep x 48" wide x 96" high
- 42" deep x 42" wide x 96" high

Note: Jesco Industries, Inc. reserves the right to improve or modify the design and/or specifications without notice.

STORAGE LOCKER SPECIFICATIONS

9 GA. 3/4" FLATTENED EXPANDED METAL MESH

MESH: 9 gauge 3/4" diamond flattened expanded metal welded to angle iron frames.

FRAMES: Side Panels: 1 1/4" x 1 1/4" x 1/8" steel angle frames with 3/4" diamond flattened expanded metal welded to frame.
 Door: 1 1/4" x 1 1/4" x 1/8" steel angle frames w/ 3/4" flattened expanded metal mesh welded to frames. Pre-hung to 1 1/4"x1 1/4" x 1/8" vertical angle jambs with 2 1/2"x 2 1/2" fast pin hinges. All doors equipped with door strike and padlock lugs.

Top Panel: 16 ga cold roll sheet metal welded to frame.
 Back: 9 ga 3/4" diamond flattened expanded metal welded to frame.
 Coat Rod: 3/4" sch 40 pipe with 1/8"x1 1/4" flat bolted in.
 Shelf: 16 ga. cold roll sheet steel. Each shelf section is formed 1 1/4" deep, welded to 1/8" flat, standard on all units.

FINISH: One shop coat of water-based PM 9017 dark gray enamel paint. Galvanized and plated parts are shipped as is.

HARDWARE: All interconnecting hardware is furnished in zinc plated finish. WALL AND FLOOR ANCHORS OPTIONAL.

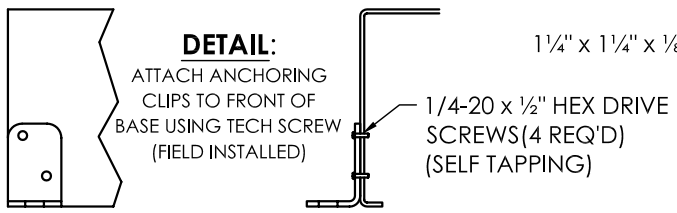
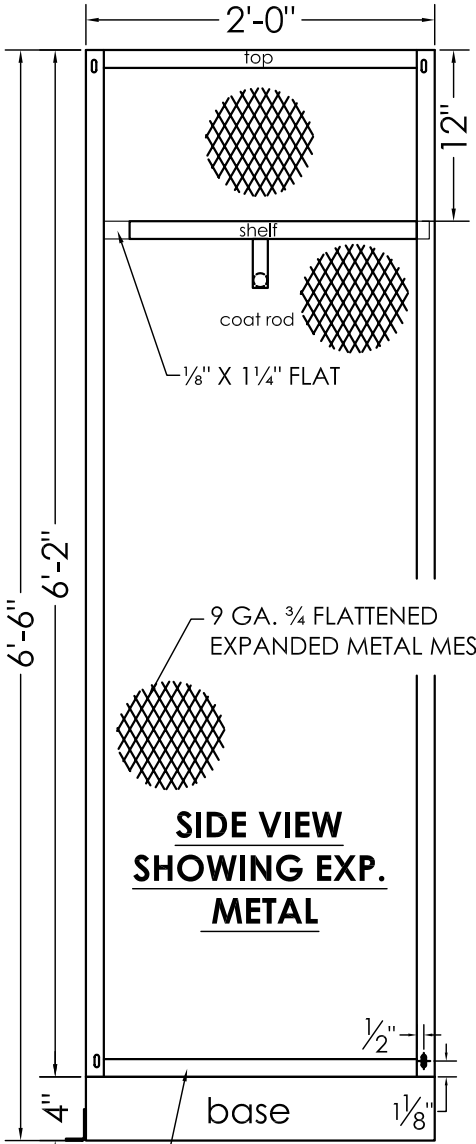
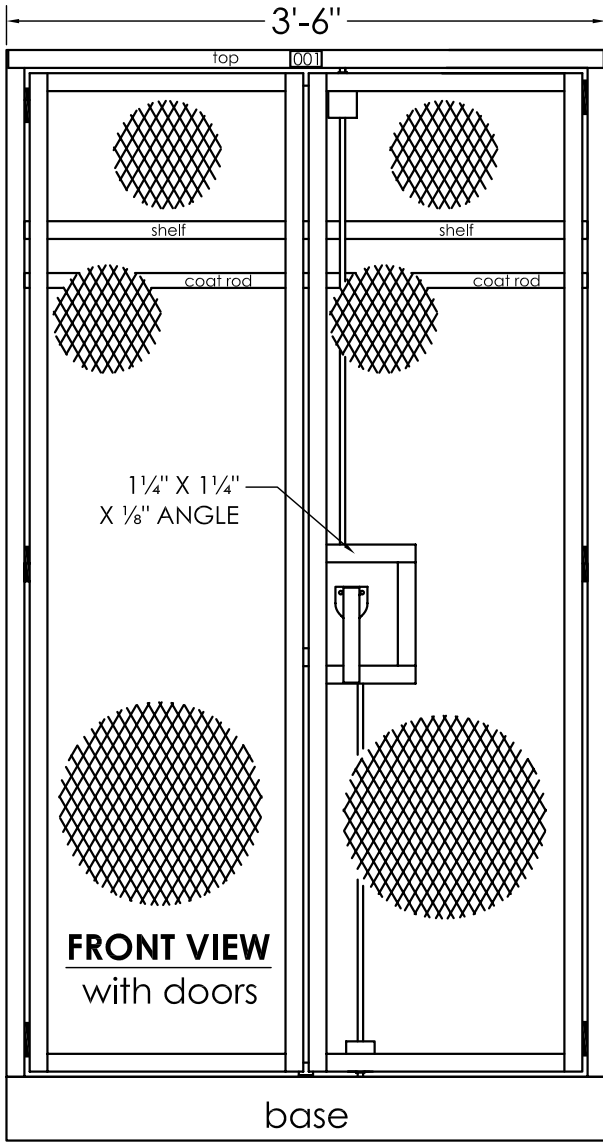
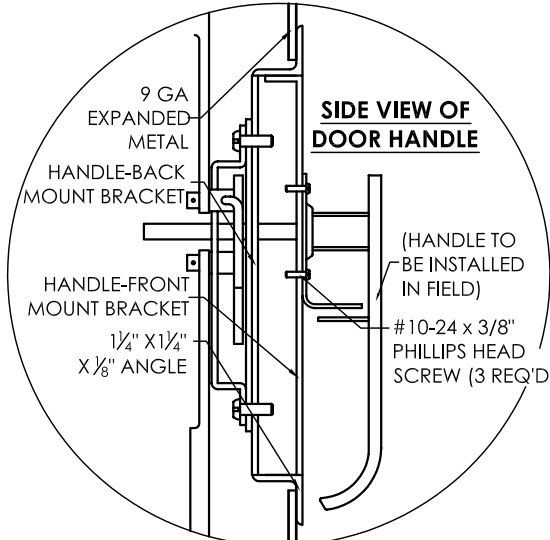
-NOTES-

All framing materials are pre-punched for anchoring and assembly.

FINISH: AFTER SHIPPING AND INSTALLATION, TOUCHUP PAINT WILL BE REQUIRED.

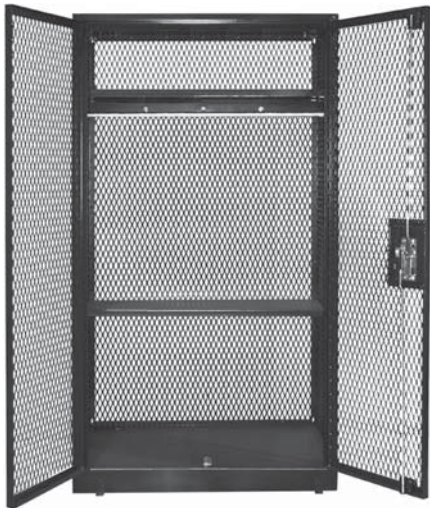
-CONTRACTOR NOTES-

FIELD BRACING AND MATERIAL BY INSTALLING CONTRACTOR ONLY. CUT OUTS AND PENETRATIONS THROUGH WIRE MESH BY INSTALLING CONTRACTOR.



		DESCRIPTION		TA-50 LOCKER	
		DRAWN BY	C. HILL	SCALE	MATERIAL
		CHK'D		DATE	02-05-07
		TRACED		APP'D	
					DRAWING NO.
					TA-50

TA-50 GEAR LOCKERS



These heavy duty, fully welded gear lockers come fully assembled and meet military requirements for individual issued equipment (TA-50). Double door, full length slam bar and two point cane bolt lock with chrome plated padlockable handle. One fixed 16 gauge shelf, heavy duty galvanized coat rod and three coat hooks. $\frac{3}{4}$ "-9 expanded metal on all 4 sides.

Visit www.JescoOnline.com

jesco
— Since 1932 — [®]

Tel: 517-542-2903

Fax: 517-542-2501

E-mail: Jesco@JescoOnline.com